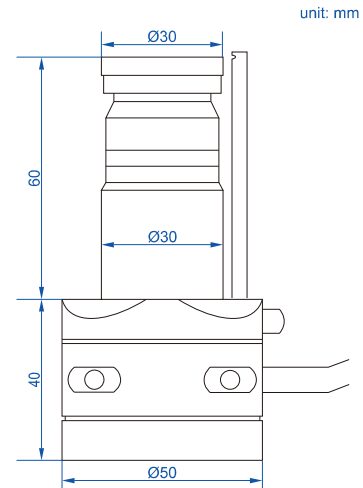


FIVE-SIDE ZERO SETTER WITH CABLE (BASIC TYPE) CODE 9419-B10

IP66
WATERPROOF



- Signal transmission through the cable
- Suitable for vertical, horizontal, gantry-type machining centers and engraving machines, etc.
- Automatic detection and compensation for tool diameter, length, runout, and wear
- Automatic detection of tool damage
- Automatic shutdown and alarm of tool breakage
- Lifespan of up to 3 million cycles
- Switchable normally closed/normally open output

SPECIFICATION

Tool block diameter	Ø30mm
Trigger direction	±X, ±Y, Z
Trigger force of zero setter all directions	X and Y axis: 1-1.5N, Z axis: 2N
Repeated trigger accuracy	≤1µm
Dust/water proof	IP66
Range of tool diameter	≥0.5mm
Zero setter travel in all directions	X and Y axis: ≤8°, Z axis: 4mm

raised base (optional) application



RAISED BASE (OPTIONAL)

Code	Base height (H)
9419-H1	50mm
9419-H2	100mm
9419-H3	150mm

